

# User Guide



## 2575E Platinum

Model No.s C1275-0002  
C1275-0001

Publication No.C1275-4980/0  
Publication date 08/02/24

## **Copyright**

Copyright © 2024

All rights reserved.

Original Instructions: English

All rights reserved throughout the world. No part of this publication may be stored in a retrieval system, transmitted, copied or reproduced in any way, including, but not limited to, photocopy, photograph, magnetic or other record without the prior agreement and permission in writing of Videndum Plc.

## **Disclaimer**

The information contained in this publication is believed to be correct at the time of printing. Videndum Product Solutions Ltd reserves the right to make changes to the information or specifications without obligation to notify any person of such revision or changes. Changes will be incorporated in new versions of the publication. We are making every effort to ensure that our publications are updated on a regular basis to reflect changes to product specifications and features. Should this publication not contain information on the core functionality of your product, please let us know. You may be able to access the latest revision of this publication from our website. Videndum Production Solutions Ltd reserves the right to make changes to product design and functionality without notification.

## **Trademarks**

All product trademarks and registered trademarks are the property of Videndum Plc.

All other trademarks and registered trademarks are the property of their respective companies.

## **Published by:**

Videndum Production Solutions Ltd

Email: [publications@videndum.com](mailto:publications@videndum.com)

# Table of Contents

Safety .....	4
About this User Guide .....	5
Box Contents .....	6
Components .....	7
Front Right View .....	8
Installation .....	9
Mounting the Head .....	9
Mounting the Camera .....	11
Payload Weight and C of G Height Adjustment .....	12
Balancing the Payload .....	13
Operation .....	15
Operating the Pan and Tilt Locks .....	15
Maintenance .....	16
Adjust Lock Levers .....	16
Cleaning .....	16
Technical Specification .....	18

Important information on the safe installation and operation of this product. Read this information before operating the product. For your personal safety, read these instructions. Do not operate the product if you do not understand how to use it safely. Save these instructions for future reference.

## Warning Symbols Used in These Instructions

Safety cautions are included in these instructions. These safety instructions must be followed to avoid possible personal injury and avoid possible damage to the product.

**⚠ WARNING!** Where there is a risk of personal injury or injury to others, comments appear supported by the warning triangle symbol. Where there is a risk of damage to the product, associated equipment, process or surroundings, comments appear supported by the word **'CAUTION'**.

### Health and Safety

**⚠ WARNING! Risk of personal injury or injury to others.** All personnel must be fully trained and adhere to correct manual handling techniques and Health & Safety regulations. It is the responsibility of the local organisation to enforce safe working practices at all times.

### Mounting, Installation and Operation

**⚠ WARNING!** Risk of finger entrapment. Do not place fingers between the platform and body of the fluid head.

**⚠ WARNING!** Avoid trapping fingers when collapsing and extending tripod legs.

**⚠ WARNING!** DO NOT fit the head to a tripod that cannot support the combined mass of the head and its full payload.

**⚠ WARNING!** Toppling hazard. Do not leave unattended. Keep out of reach of children.

**⚠ WARNING!** The product must always be secured.

**⚠ CAUTION!** Always lock the vertical and horizontal brakes when the camera is mounted but not in use or when levelling the fluid head on the tripod.

**⚠ CAUTION!** Hold the camera securely when mounting or dismounting from the fluid head and when making adjustments to the tripod height or footprint.

**⚠ CAUTION!** Always hold the pan bar when making adjustments to the counterbalance or camera position. Do not use the pan bar to lift or move the tripod and fluid head.

**⚠ CAUTION!** Only attach camera accessories to the pan bar. Do not attach heavy items to the pan bar.

**⚠ CAUTION!** Always remove the camera before transporting.

**⚠ WARNING!** Before fitting or adjusting the camera or payload the tilt lock pin must be engaged. See section on "Installation"

# Safety

## Maintenance

⚠ **WARNING!** The fitting of non-approved parts and or accessories, the carrying out of non-approved alterations or servicing can be dangerous and could affect the safety of the product. It may also invalidate the terms and conditions of the product warranty.

⚠ **CAUTION!** When replacing the battery, use only the same or an equivalent type of battery recommended for use with the product.

## About this User Guide

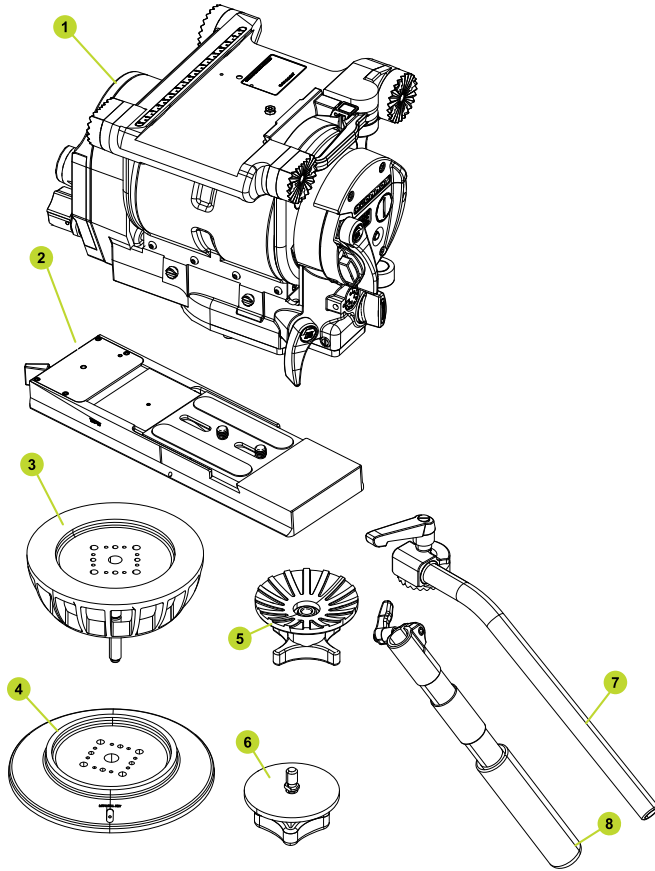
The 2575E head is the flagship of OConnor's Ultimate range of fluid heads and features OConnor's stepless counterbalance system as well as ultra smooth pan and tilt fluid drag designed for cine style shooting. A collapsible counterbalance crank handle and numerical readout make counterbalancing the payload easy. The new platform has all the controls on the camera operator's side of the head (left side) and features a platform scale on one side and four rosette handle mountings. The platform release lever has a one touch finger actuated safety release catch—while still requiring conscious effort. OConnor's fluid drag system allows an extremely quick pan movement from one position to another, recovering instantly without any spring back. You can set up easily in low light conditions using the illuminated level bubble.

Scan this QR code to access a dedicated page containing important information:



- Warranty information & links to registration / submit case to service team/case management
- User manuals
- Easy access to service centre
- This QR code is also on the Fluid Head for easy reference.

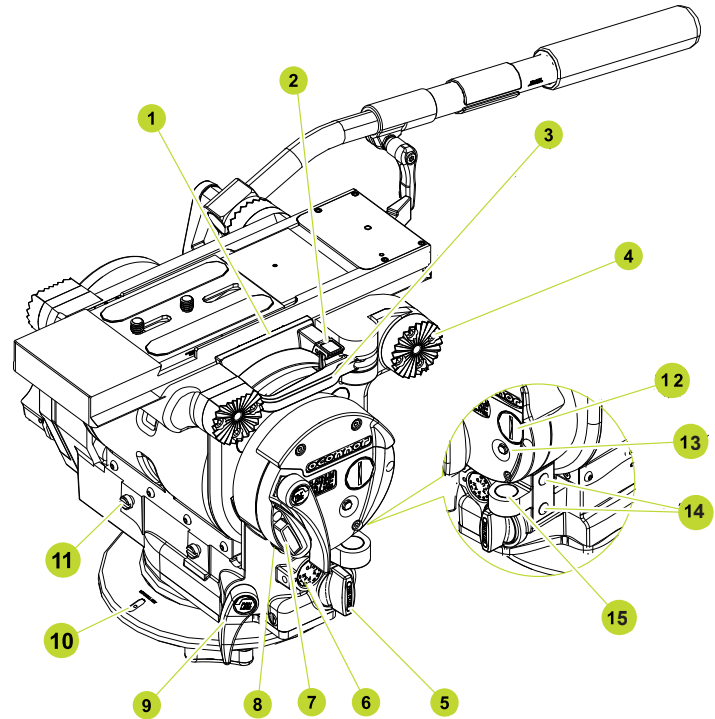
## Box Contents



Item	Description	Part No.
1	Ultimate 2575E Fluid Head Bare unit	C1275-0002
1	Ultimate 2575E Fluid Head Package complete with items 1 to 8	C1275-0001
2	Euro Style Quick Release	2575-120
3	150mm ball base	08414
4	Mitchell Base	C1275-1010
5	tiedown	C1234-1017
6	tiedown	C1234-1018
7	Pan handle	2575-137
8	Pan handle extension	2575-135

## Front Left View

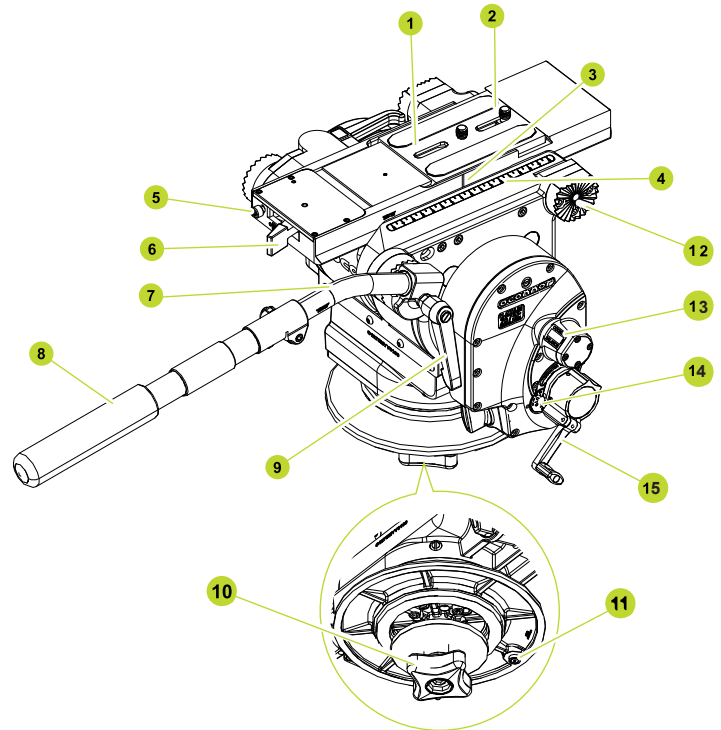
Item	Description
1	Platform hook
2	Platform release lever safety catch
3	Platform release lever
4	Handle/accessory mounting rosette
5	Pan fluid drag adjustment knob
6	Pan fluid drag display
7	Tilt centre lock button
8	Centre lock release button
9	Pan lock lever
10	Mitchell key marker
11	Front box mounting screws
12	Battery cover
13	Bubble level illumination button
14	Eyepiece leveller mounting screws
15	Bubble level



# Components

## Front Right View

Item	Description
1	Camera mounting plate
2	Camera fixing screws
3	Slide plate marker
4	Slide plate scale
5	Camera plate clamp release lever
6	Camera plate clamp lever
7	Handle
8	Handle extension
9	Handle clamp
10	Tie down
11	Mitchell key
12	Handle/accessory mounting rosette
13	Counterbalance numerical display
14	Tilt fluid drag display
15	Folding counterbalance adjustment crank



## Installation

### Mounting the Head

The 2575E is installed onto standard tripods using either the Mitchell base and tie down or the 150mm ball base and tie down as required.

**⚠ WARNING!** Do Not fit a head to a tripod that cannot support the combined mass of the head and its full payload.

**⚠ WARNING!** If required use a mid-level or floor spreader to ensure that the tripod legs are spread sufficiently; this ensures that the C of G remains within the footprint of the tripod.

✔ Refer to the tripod instructions supplied with the tripod for correct fitting procedure.

#### Ball Base

Loosen the bowl clamp. Move the fluid head to center the level bubble. Tighten the bowl clamp and re-check the level.

#### Mitchell Base

Levelling is achieved by adjusting the legs on the tripod until the level bubble is centred.

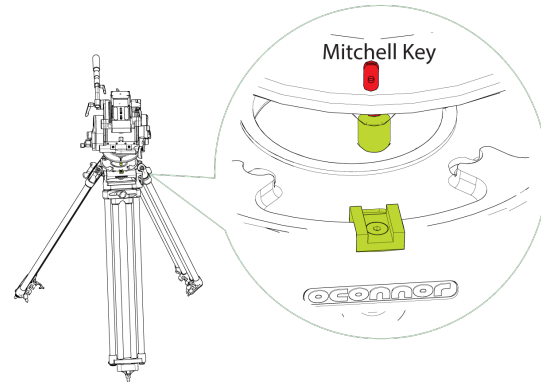
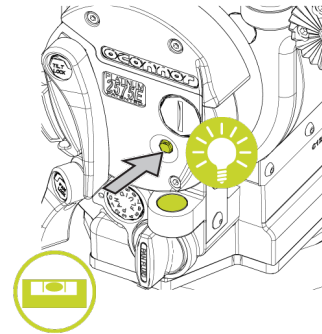
### Levelling the Head

After securely mounting the head on to the tripod, center the bubble level to set the level.

If necessary, in poor light conditions:

1. Press the button illumination bubble (the light will remain on for 20 seconds).

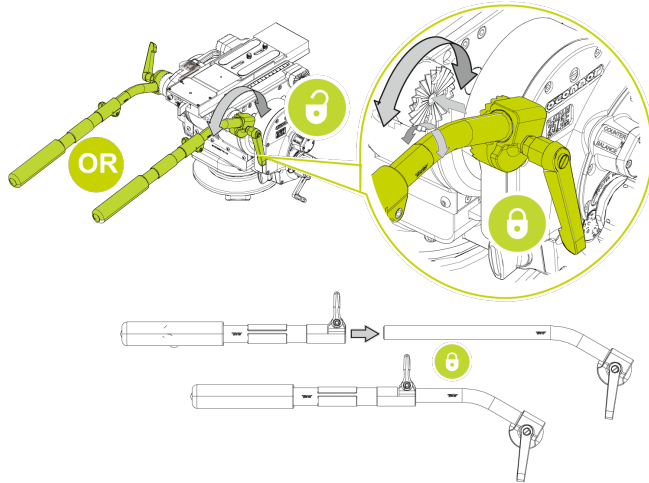
2. Press the button again within 20 seconds to turn the light off.



# Installation

## Fitting the Pan Handle

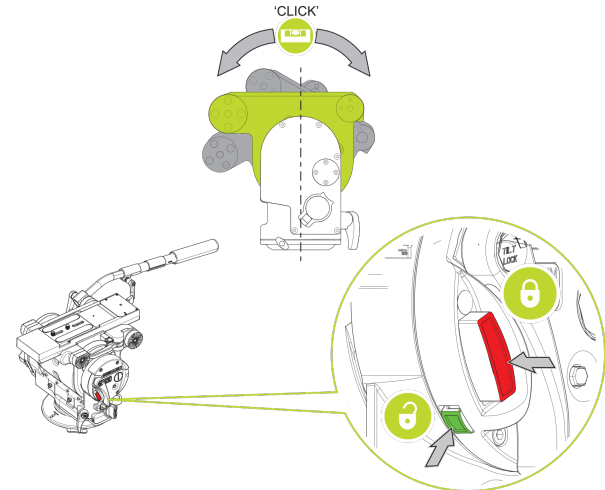
Pan Handle / accessory mounting rosettes are located at the front and rear of the head, on both the left and right sides.



## Centre Lock

✔ Ensure the tilt lock is engaged and camera and all accessories are fitted.

Press the tilt lock button while rotating the camera plate through the vertical plane until an audible click is heard as the lock pin engages.



## Installation

### Mounting the Camera

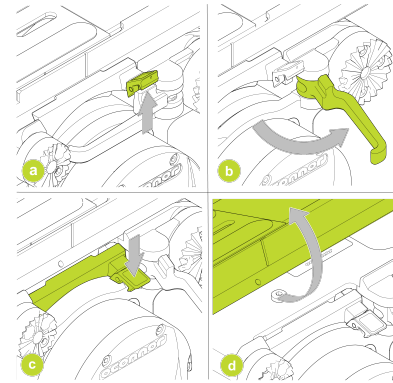
The camera is attached to the head by means of a side loading platform mechanism. A standard, Arri style plate or included Europlate can be used.

**⚠ WARNING!** Before fitting or adjusting the camera or payload the tilt lock pin must be engaged. See "Installation"

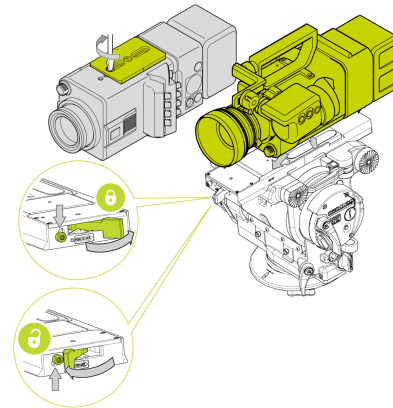
**⚠ Caution** Do not attempt to load the camera plate when platform handle is closed.

### Fitting Plate or Europlate to Head

1. Release side loading platform if fitted.
2. Attach the mounting plate securely to the bottom of the camera in the desired position.
3. Engage the centre lock button.
4. Release the safety catch a and pull out the platform release lever b.
5. Slide the camera mounting plate on to the platform towards the right side of the head until an audible "click" is heard. When the platform hook engages the camera mounting plate, the plate is captive, but not locked.
6. Engage the base plate with the mounting plate. Slide the camera and plate to the required position and lock by closing the platform release lever.
7. To remove the mounting plate Release the safety catch (a), and pull the release lever (b). Push the safety catch down (c) and lift out the side plate.
8. To load the mounting plate, carryout step 7 in reverse.



### Europlate Operation

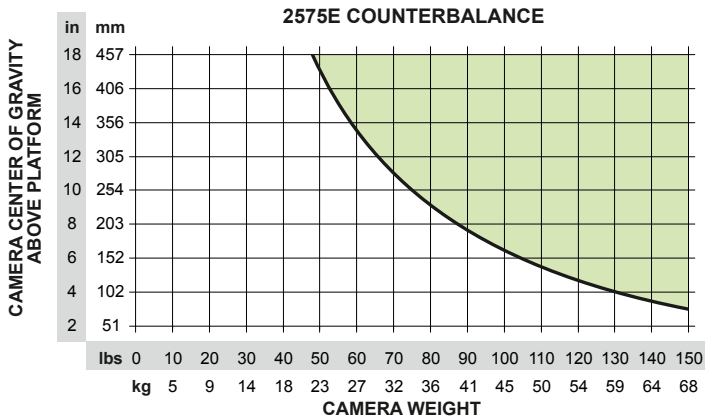


## Payload Weight and C of G Height Adjustment

**⚠ WARNING!** Ensure that the weight and C of G height of the total payload is within the range for which the head is designed.

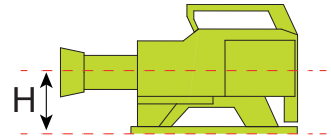
**⚠ WARNING!** For safe and reliable operation the head and all mounted equipment must be correctly balanced.

The chart below shows the range of load and C of G heights that can be maintained in balance. The area below the balance curve (to the left) corresponds to load / C of G combinations that can be balanced over the full tilt range of the 2575E. The area above the balance curve (to the right) corresponds to load / C of G combinations that exceed the capacity of the head.



**💡 Tip.** The height of the C of G is difficult to measure, especially with accessories fitted. Accessories fitted high above the camera will effectively reduce the total payload that can be balanced. However, since accessories are fitted both above and below the lens, a first approximation can be the distance from the bottom of the camera plate to the centre of the lens.

Approximate estimate for C o G Height (dependent on configuration).



- @ 4" (102mm) <130 lb. (59 kg)
- @ 5" (127mm) <115 lb. (52.1 kg)
- @ 6" (152mm) <103 lb. (46.7 kg)
- @ 8" (203mm) <89 lb. (40.3 kg)

## Installation

### Balancing the Payload

The purpose of setting the balance and counterbalance of the payload is to negate the weight of the payload when tilting the head. The movement should be effortless and the payload should remain in any set position throughout the tilt range.

Ensure the head is level before balancing. The camera and payload should be fitted on the head, so that the load is balanced. This can be achieved by moving the camera forwards (Fore) or backwards (Aft) on the cradle.

**⚠ WARNING!** When positioning the payload, it is important to be aware of the potential danger that an unbalanced payload will fall away suddenly. Always be prepared for this by maintaining a firm hold of the handle, until the balance is set correctly.

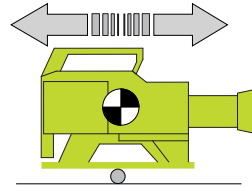
**⚠ WARNING!** The payload balancing procedure may require the assistance of another person.

**⚠ Caution!** The camera, handles and all accessories must be fitted in their operational position before balancing the head. Any equipment fitted or adjusted later can unbalance the head.

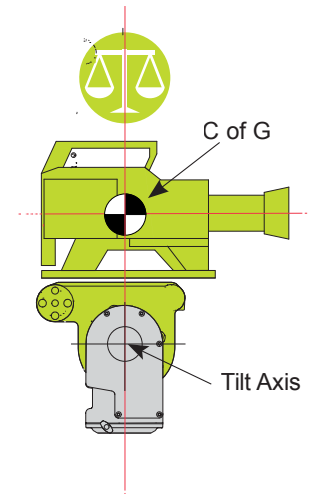
1. Make sure the tilt lock is engaged and that the camera and all accessories are installed in their operating positions.
2. Set the tilt drag adjustment knob to '0' (lowest setting).
3. Initially, set the counterbalance quite high; turn clockwise.
  - ✔ Depending on the payload weight, it may be necessary to increase or decrease this setting to enable the payload to be correctly balanced fore and aft.

4. The payload C of G (Centre of Gravity) must align with the fluid head's tilt axis as shown below, slide the payload fore and aft using the camera plates sliding platform until the load is centered and balances upright in the vertical position with the tilt lock and drags off. Lock the tilt when done.

✔ It is unlikely that perfect balance will be achieved at this point without supporting the load. You are looking for the balancing point between the load falling fore or aft. If this cannot be achieved then reposition the camera plate.



**Tip.** Before initially mounting the camera. If the camera C of G is unknown, it may be estimated by placing the camera on a rod and shifting it fore and aft until the balance point (C of G) is achieved.



5. When the C of G of the camera is approximately over the tilt axis, adjust the counterbalance as follows. Hold the payload and release the tilt lock, then gently tilt the load from the horizontal

## Installation

---

position fore 30 - 45° and release slowly then aft 30 - 45° and release again, observing its response.

- If the camera springs back toward horizontal then the counter balance requires lowering, turn the counterbalance counter-clockwise.
  - If the camera drops away from the horizontal then the counterbalance needs to be higher, turn the counterbalance clockwise
6. When the camera stays in whatever position it is placed in through the tilt range then counterbalance is correct.

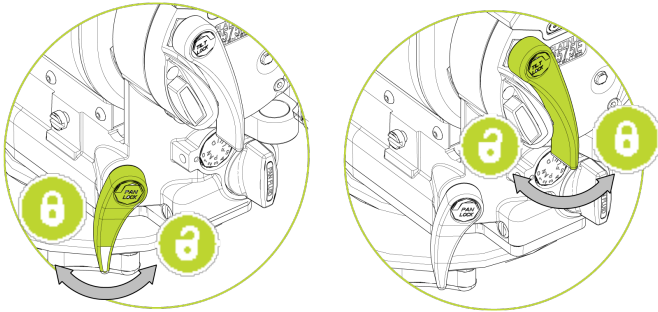
🟢 After adjusting the counterbalance, you may notice slightly different behaviour when tilting fore as opposed to aft, i.e. tilting fore may try to fall away from horizontal but tilting aft is fine. This means that step 4 was not aligned perfectly. Repeat the process from step 4 to 6 until the camera will stop in any selected angle. This may require several repeat attempts to achieve perfect balance.

🔧 **Tip.** Turn the counterbalance anticlockwise for smaller payloads. Turn the counter balance clockwise for larger payloads. After balancing, exercise the head through both axis to confirm that it operates smoothly.

## Operation

### Operating the Pan and Tilt Locks

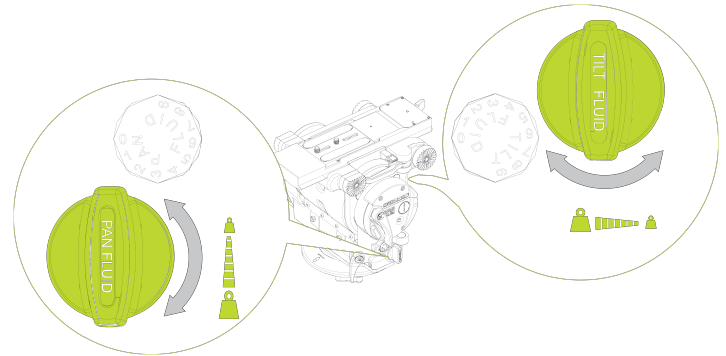
The pan and tilt friction locks are operated by the levers on the left side of the head.



✔ After prolonged use, if the lock does not fully engage at the end of the lock travel, refer to “Adjust Lock Levers” The levers are designed so they can be released simultaneously with one hand.

### Pan and Tilt Fluid Drag

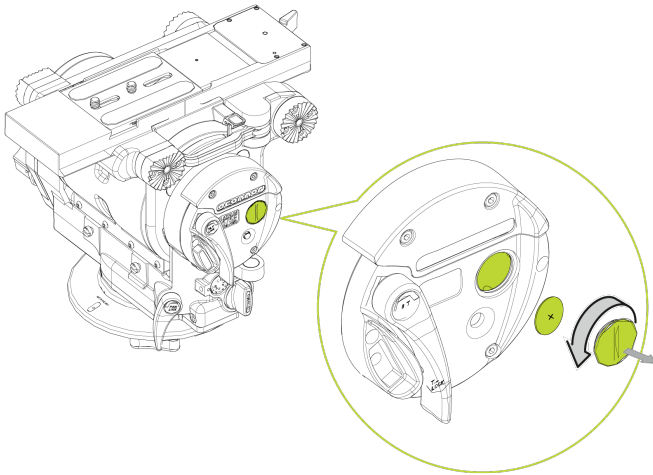
The pan drag adjustment knob is located on the lower right rear of the head, and the tilt drag adjustment knob on the lower left of the head. Both controls are continuously adjustable from 0 - 9. To increase drag, turn the knob clockwise, to decrease the drag, turn the knob counter clock-wise.



### Battery Replacement

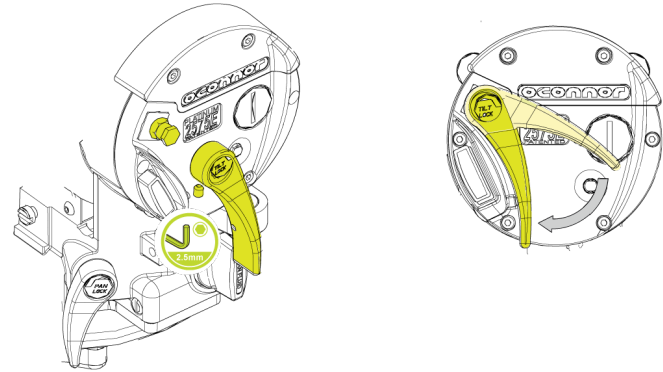
The battery illuminates the bubble level. It should be replaced whenever the illumination becomes inadequate.

1. Use a coin or flat blade screwdriver to unscrew the battery cover.
2. Carefully pull the battery out of its compartment.
3. Replace the battery cover and tighten using a coin or flat blade screwdriver.
4. Press the bubble level illumination button and verify that the bubble level is lit for approximately 20 seconds.



### Adjust Lock Levers

If the pan and/or tilt friction locks do not fully engage at the end of the lock lever travel, adjust the lever position as follows:



1. Rotate the lock lever to the “locked” position.
2. The lock lever is attached by means of a grub screw, using a 2.5mm Allen key remove the screw.
3. Pull the lock lever off the hexagonal shaft, rotate it approx. 30° away from the “locked” end of travel, and reinstall it.
4. Tighten the screw.

### Cleaning

We encourage regular cleaning of the product. During normal use the only cleaning required should be a regular wipe over with a lint-free cloth.

## Maintenance

---

Cover the head when not in use. Dirt accumulated during storage or periods of non-use may be removed with a vacuum cleaner.

**⚠ CAUTION!** Salt water will damage the head! If product comes into contact with salt water, immediately rinse with distilled water and dry with compressed moving air.

### Storing the Head

- When shooting is finished the head should be stored in the case.
- Store in a dry area.
- You may leave the counterbalance and drag settings as they are at the end of a shoot.
- For long term storage, we advise that the counterbalance is adjusted towards 100%.

**⚠ CAUTION!** Never force the counterbalance when resistance is felt near 0 or 100%.

# Technical Specification



**Height:** 8.4 in (21.3 cm)



**Depth:** 8.6 in (21.8 cm)



**\*Maximum payload:** 87 lb (39.5 kg) at C of G height of 8" (20.3 cm). See counterbalance chart



**Storage Temp:** -40°C to +60°C (-40°F to +140°F)



**Bubble level:** Illuminated



**Width:** 12.4 in (31.5 cm)



**Weight Head Only:** 23.6lb (10.7 kg)



**Weight with Mitchel Base, tiedown and 1 extendable Pan Bar:** 26.6 lb (12.0kg)



**Tilt:** ±90° throughout entire counterbalance range, zero to maximum



**Operating temp:** -40°F to +140°F (-40°C to +60°C)



**Battery:** Type: 1 x CR 2032 3v



## Published by

Videndum Production Solutions Ltd.

Email: [publications@videndum.com](mailto:publications@videndum.com)

Copyright 2024 - Videndum Production Solutions Ltd. All rights reserved



**OConnor**

A Videndum plc Brand



[www.ocon.com](http://www.ocon.com)