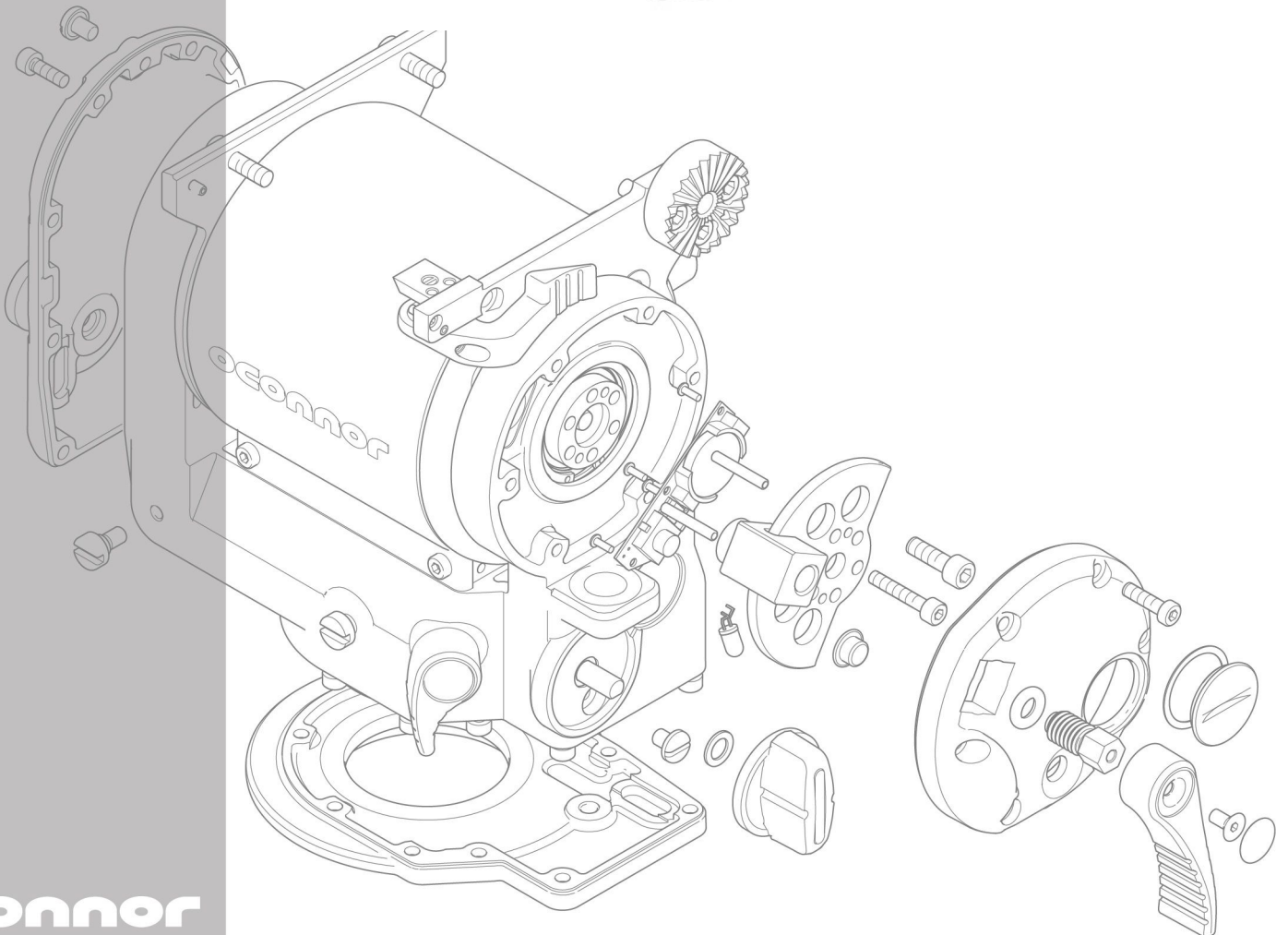


# Illustrated Parts List

## OConnor Universal Baseplate C1245-1001



**Original Instructions:** English

**Publication No.** C1245-1001-800/1

**Copyright © 2011**

All rights reserved throughout the world. No part of this document may be stored in a retrieval system, transmitted, copied or reproduced in any way, including, but not limited to, photocopy, photograph, magnetic or other record without the prior agreement and permission in writing of the Vitec Group plc.

**Disclaimer**

The information contained in this manual is believed to be correct at the time of printing. Vitec Videocom Limited reserves the right to make changes to the information contained in this book, product design, functionality and specifications without obligation to notify any person of such revision or changes. Changes will be incorporated in new versions of this publication.

**Trademarks**

All product trademarks and registered trademarks are the property of the Vitec Group Plc.

All other trademarks and registered trademarks are the property of their respective companies.

**Published by:**

Vitec Videocom Limited  
Supports Technical Publications Department  
William Vinten Building, Western Way  
Bury St Edmunds, Suffolk IP33 3TB

Email: [technical.publications@vitecgroup.com](mailto:technical.publications@vitecgroup.com)

## ILLUSTRATED PARTS LIST

## About this book

Use this book to identify spare parts for the product. Always select the version of this book that corresponds to the serial number of the product.

The printed version of this book may not be the current version. Always check online for the latest version of this book.

Exploded drawings are used to identify individual parts. The number of each part on the drawing is referenced in the standard parts list as the Item Number. Torque settings and consumables are also shown on the drawing.



**This book should not be used to disassemble, maintain or repair the product. Refer all servicing to qualified and trained service engineers.**

---

Individual parts that are only available in a Spares kit are identified in the Standard Parts List as **not sold separately** (NSS).

## About spare parts

### IMPORTANT NOTE:



**Some individual parts are often only available in spares kits and may not be for individual sale.**

---

All parts are shown on the exploded drawings with an item number that is referenced in the accompanying standard parts list. Not all parts are available individually as spares parts and some parts are only available in kits. Refer to the Spares Kits section of this book for all spares kits available for this product.

Always quote the individual part number or the number of the spares kit when ordering spare parts. Do not use the item number shown on the exploded drawing and referenced in the accompanying standard parts list.

## Consumables

Consumables are not available for sale and must be sourced locally due to restrictions on the transportation of these substances.

## Product enhancements

Product enhancements that affect a part used in the production of the product are released on Electronic Change Notifications (ECNs). Enhancements requiring a change to a part that affects the product from a certain serial number onward are listed in the Design Improvements section of this book.

## Explanatory notes

Product changes to spares kits and standard parts used for a period of time and then discontinued or changed due to product enhancements, are indicated by a commencing/finishing product serial number, for example: 0000/0999, 1000/1500.

Parts still used in the current production of the product are indicated by the commencing serial number followed by an oblique stroke and dash: 0000/-, 0999/-, 1500/-.

## ILLUSTRATED PARTS LIST

## Document History

Issue	Details/Changes	Page/s	Issue Date
0	Initial release		2012-04-25

## Design Improvements

Part Affected	ECN Class 1	Details	Date	From Serial No.
			--	

ILLUSTRATED PARTS LIST

**Abbreviations**

Abbreviation	Meaning
A	Ampere
A/R	as required
assy	assembly
csk	countersunk
c/w	complete with
dia.	diameter
ft	foot
Hex	hexagon
ID	inside diameter
in.	inch
kg	kilogram
lb	pound
LH	left hand
mm	millimetres
No.	number
PCD	pitch circle diameter
PCS	piece
NI	Not illustrated
NSS	Not sold separately
rad	radius
REQD	required
RH	right hand
st. st.	stainless steel
STD	standard
TOL	Tolerance

**Contents**

LWS Baseplate Assembly ..... 4

**Symbols**







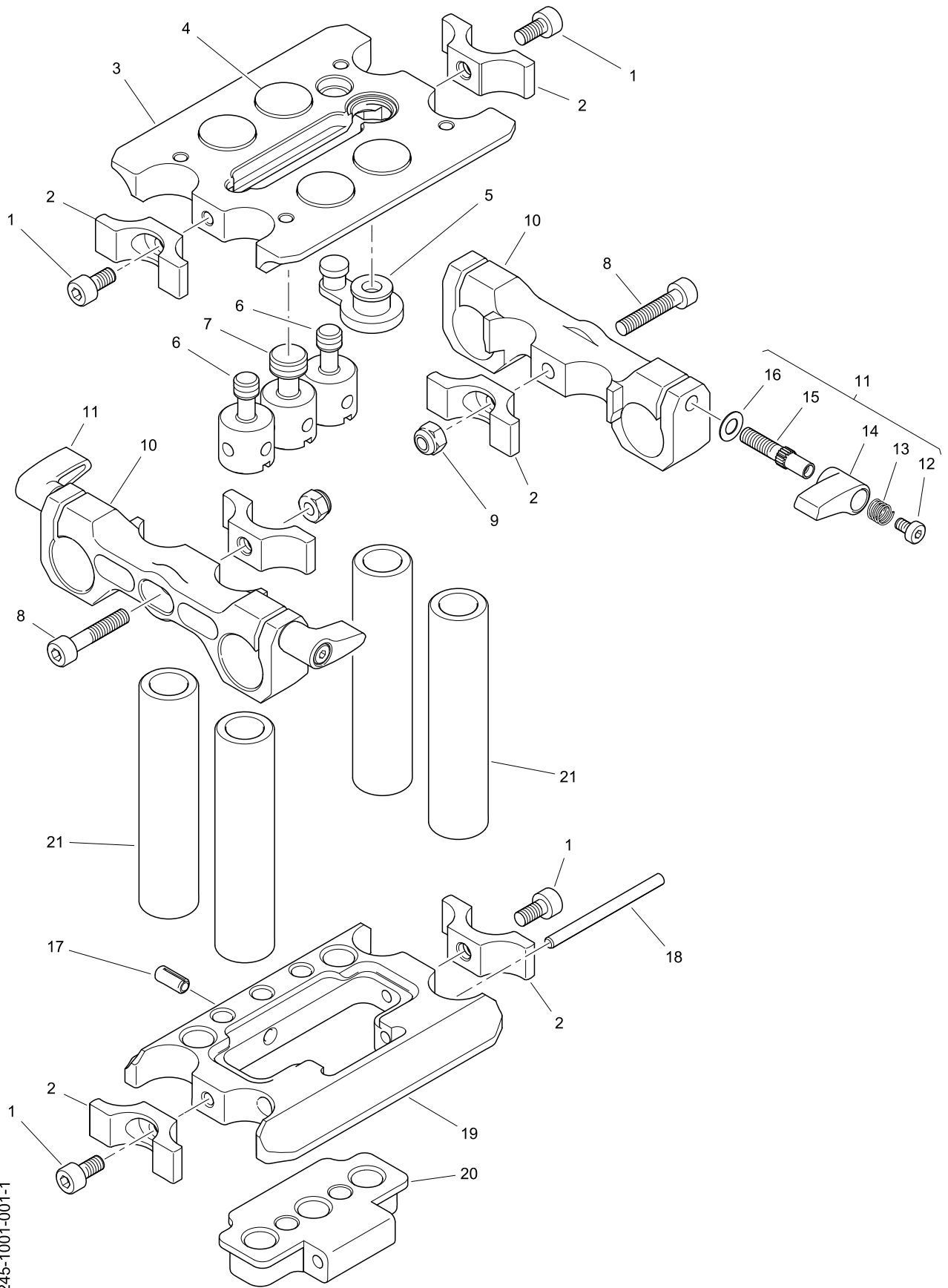
-  Lubricant
-  Adhesive
-  Torque setting
-  Spares kit available to end users.
-  Fitting instructions available.
-  Spares kit only available to Service Centres.

Fig 1.0 LWS Baseplate Assembly

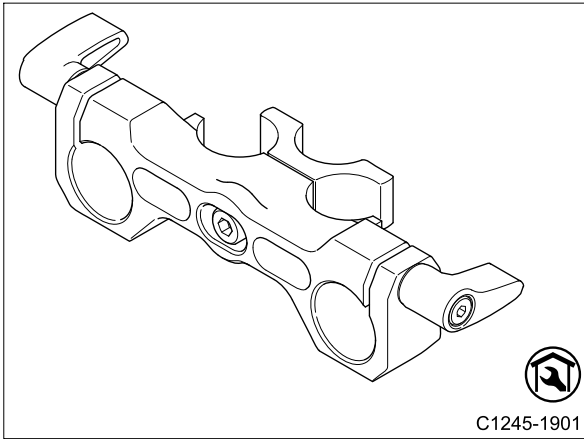


C-1245-1001-001-1

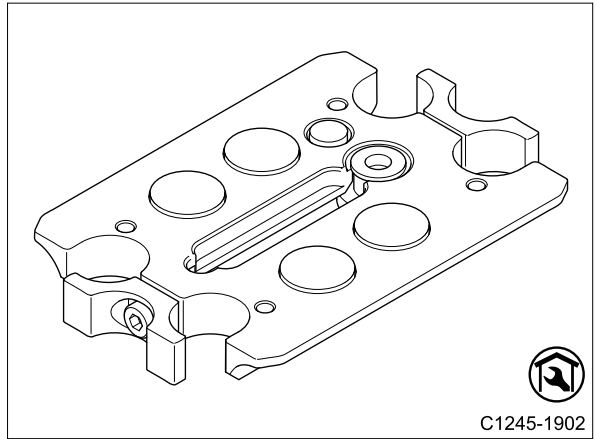
## Standard Parts List

Item	Part No.	Part Name	Technical Data	Serial No.	Kit Number	Qty	Unit
<b>LWS Baseplate Assembly</b>							
Fig 1.0							
1	NSS	Screw, cap head, socket	M4 x 8 mm long	0000/-	C1245-1902, C1245-1903	4	PCS
2	NSS	Clamp V2		0000/-	C1245-1901, C1245-1902, C1245-1903	6	PCS
3	NSS	Top plate		0000/-	C1245-1902	1	PCS
4	NSS	Anti slip disk		0000/-	C1245-1902	4	PCS
5	NSS	Rubber stopper	R357,09	0000/-	C1245-1902	1	PCS
6	C1245-2010	Bolt	1/4" x 20 mm long	0000/-		2	PCS
7	C1245-2009	Bolt	3/8" x 16 mm long	0000/-		1	PCS
8	NSS	Screw, cap head, socket	M4 x 20 mm long	0000/-	C1245-1901	2	PCS
9	NSS	Nut, nyloc, lock	M4	0000/-	C1245-1901	2	PCS
10	NSS	LWS Rod holder		0000/-	C1245-1901	2	PCS
11	NSS	Lock lever, RH, short assembly		0000/-	C1245-1901	4	PCS
12	NSS	Screw, low-profile, cap head, socket	M3 x 5mm long, stainless steel, din 7984	0000/-	C1245-1901	1	PCS
13	NSS	Spring, compression	7.94mm free length, 5.33mm OD x 5.56mm hole dia. x 4.18mm ID, 1.51n/mm rate	0000/-	C1245-1901	1	PCS
14	NSS	Lever		0000/-	C1245-1901	1	PCS
15	NSS	Stud	13.3	0000/-	C1245-1901	1	PCS
16	NSS	Spacer	8 x 4.2 x 0.3 mm	0000/-	C1245-1901	1	PCS
17	NSS	Spring, plunger	M4 thread 9mm long, 2.5mm ball, stainless steel,	0000/-	C1245-1903	1	PCS
18	NSS	Pin, dowel	3 mm dia. x 40 mm long	0000/-	C1245-1903	1	PCS
19	NSS	Botton plate		0000/-	C1245-1903	1	PCS
20	NSS	Mounting plate		0000/-	C1245-1903	1	PCS
21	C1245-2002	Upright	67.4 mm long	0000/-		4	PCS
NI	Z002-099	Adhesive, instant	Loctite 460 P			1	PCS
NI	J551-032	Wera hex-plus L-key	3 mm x 71 mm x 20 mm			1	PCS

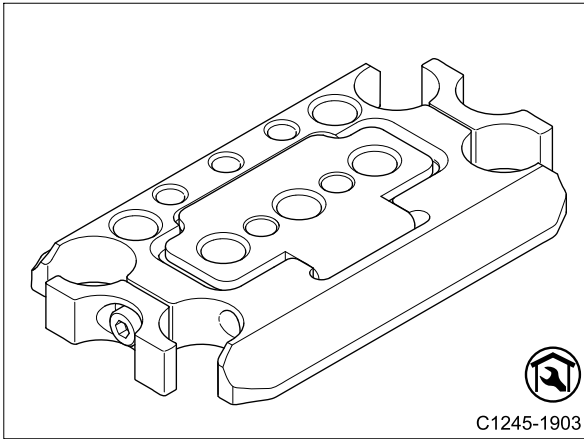
Spares Kit List



C1245-1901



C1245-1902



C1245-1903

C1245-1001-901-1



## Spares Kit List

Kit No.	Kit/Part Name	Technical Data	Serial No.	Qty	Unit
<b>C1245-1901</b>	<b>LWS Rod holder</b>		<b>0000/-</b>		
	<b>Comprising:</b>				
NSS	Clamp V2			2	PCS
NSS	LWS Rod holder			1	PCS
NSS	Screw, cap head, socket	M4 x 20 mm long		1	PCS
NSS	Nut, nyloc, lock	M4		1	PCS
NSS	Lock lever, RH, short assembly			2	PCS
NSS	Lever			1	PCS
NSS	Stud	13.3		1	PCS
NSS	Screw, low-profile, cap head, socket	M3 x 5mm long, stainless steel, din 7984		1	PCS
NSS	Spring, compression	7.94mm free length, 5.33mm OD x 5.56mm hole dia. x 4.18mm ID, 1.51n/mm rate		1	PCS
NSS	Spacer	8 x 4.2 x 0.3 mm		1	PCS
<b>C1245-1902</b>	<b>Top plate</b>		<b>0000/-</b>		
	<b>Comprising:</b>				
NSS	Top plate			1	PCS
NSS	Clamp V2			2	PCS
NSS	Anti slip disk			4	PCS
NSS	Screw, cap head, socket	M4 x 8 mm long		2	PCS
NSS	Rubber stopper	R357,09		1	PCS
<b>C1245-1903</b>	<b>Bottom plate</b>		<b>0000/-</b>		
	<b>Comprising:</b>				
NSS	Clamp V2			2	PCS
NSS	Botton plate			1	PCS
NSS	Mounting plate			1	PCS
NSS	Screw, cap head, socket	M4 x 8 mm long		2	PCS
NSS	Spring, plunger	M4 thread 9mm long, 2.5mm ball, stainless steel,		1	PCS
NSS	Pin, dowel	3 mm dia. x 40 mm long		1	PCS

# OConnor Universal Baseplate C1245-1001

## **HEADQUARTERS**

2701 N. Ontario St.  
Burbank, CA 91504  
USA  
Tel: +1 818 847 8666  
Fax: +1 818 847 1205

## **USA**

709 Executive Blvd  
Valley Cottage  
New York 10989  
USA  
Tel: +1 845 268 0100  
Fax: +1 845 268 9324

## **UK**

William Vinten Building  
Western Way  
Bury St Edmunds  
Suffolk IP33 3TB  
Tel: +44 1284 776 700  
Fax: +44 1284 750 560

## **BRAZIL**

Rua Quintana, 950 – cj.32  
Brooklin  
São Paulo, 04569-011  
Brazil  
Tel: +55 11 5102 4001  
Fax: +55 11 5103 1164

## **CHINA**

Room 706, Tower B  
Derun Building  
YongAn Dongli A No. 8  
Jianwai Ave., Chaoyang District  
100022 Beijing, China  
Tel: +86 10 8528 8748  
Fax: +86 10 8528 8749

## **FRANCE**

171 Avenue des Grésillons  
92635 Gennevilliers CEDEX  
France  
Tel: +33 8 20 82 13 36  
Fax: +33 8 25 82 61 81

## **GERMANY**

Erfurter Straße 16  
85386 Eching  
Germany  
Tel: +49 89 321 58 200  
Fax: +49 89 321 58 227  
Gebäude 16  
Planiger Straße 34  
55543 Bad Kreuznach  
Germany  
Tel: +49 671 483 43 30  
Fax: +49 671 483 43 50

## **JAPAN**

P.A. Building 4F  
3-12-6 Aobadai  
Meguro-ku  
Tokyo 153-0042  
Japan  
Tel: +81 3 5457 1381  
Fax: +81 3 5457 1382

## **SINGAPORE**

6 New Industrial Road  
#02-02 Hoe Huat Industrial Building  
Singapore 536199  
Tel: +65 629 757 76  
Fax: +65 629 757 78