

4

3

2

1

D

D

C

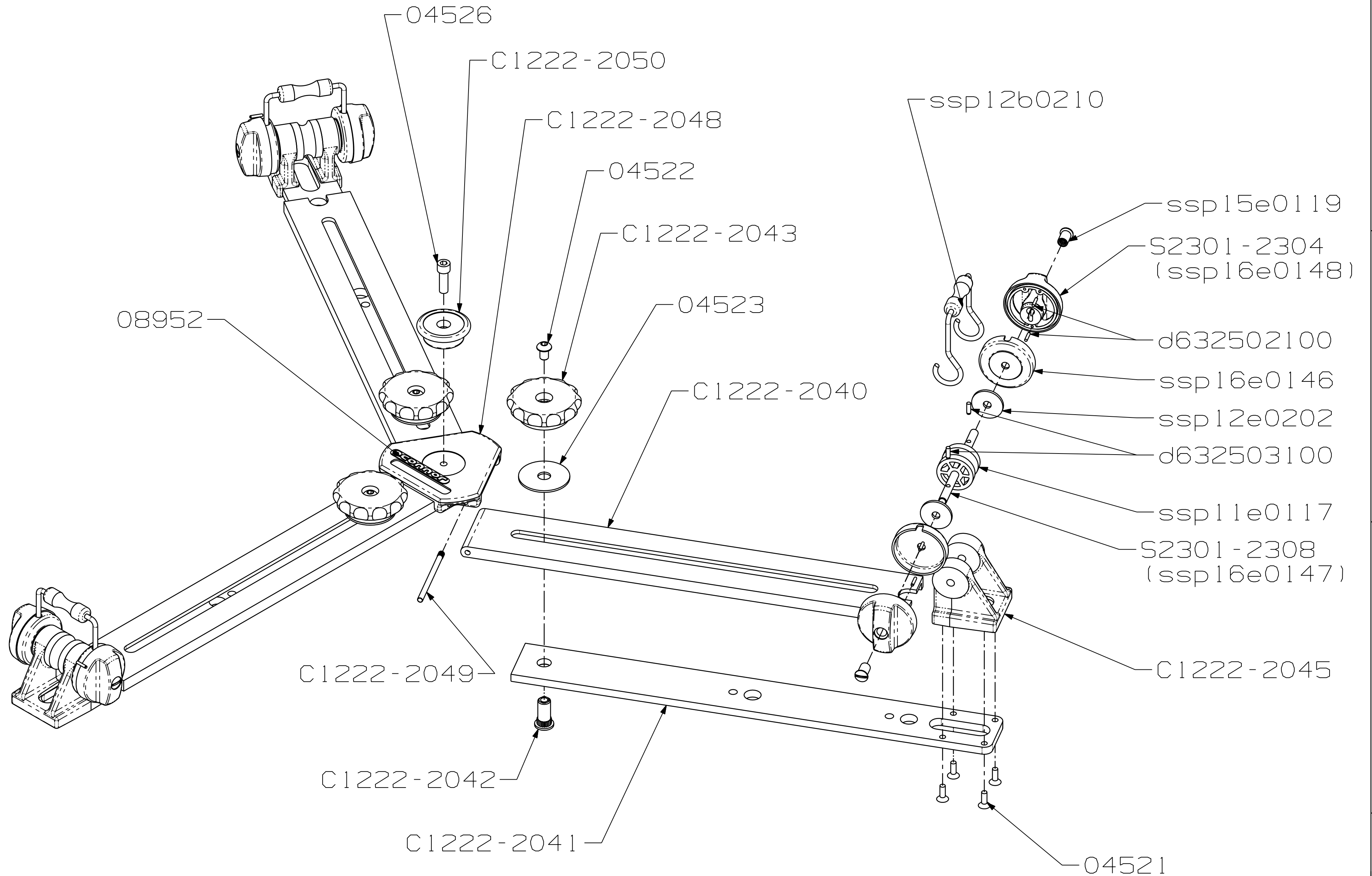
C

B

B

A

A



C1222-0015 FLOOR SPREADER

4

3

2

1