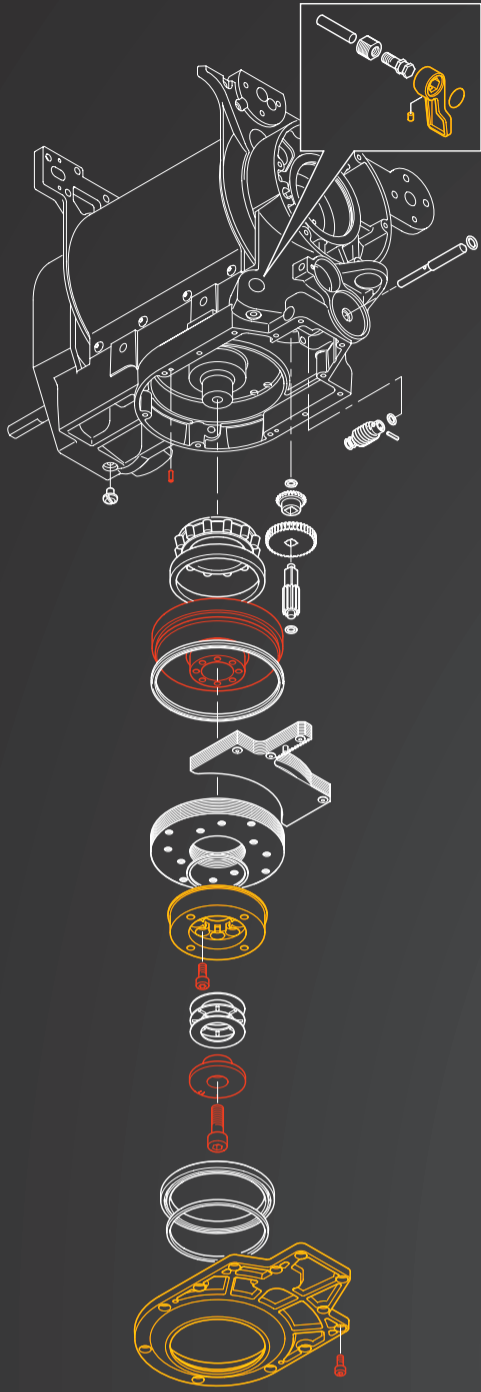
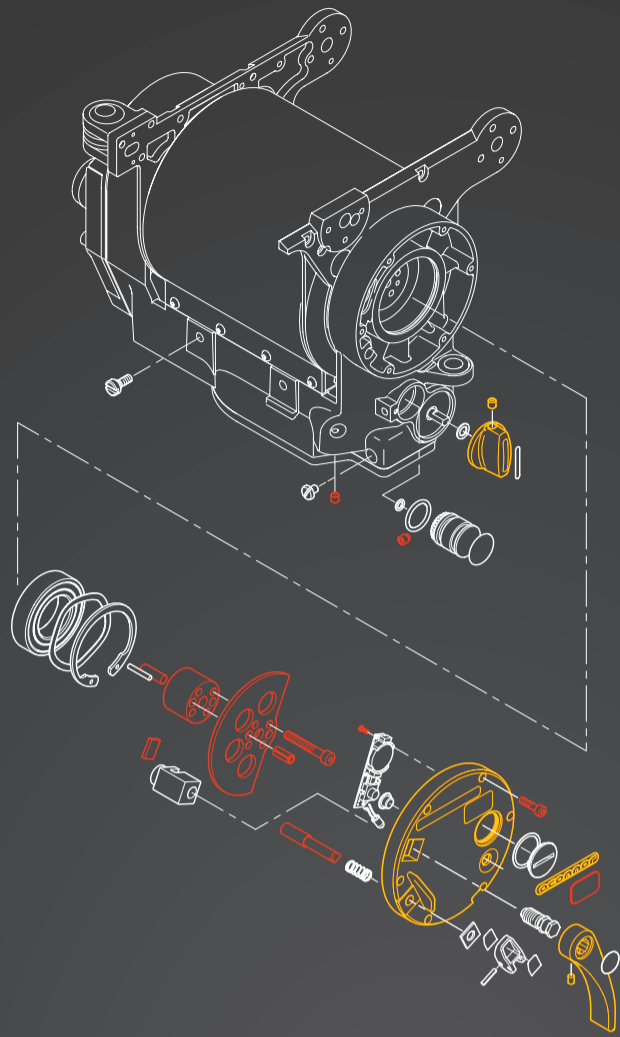


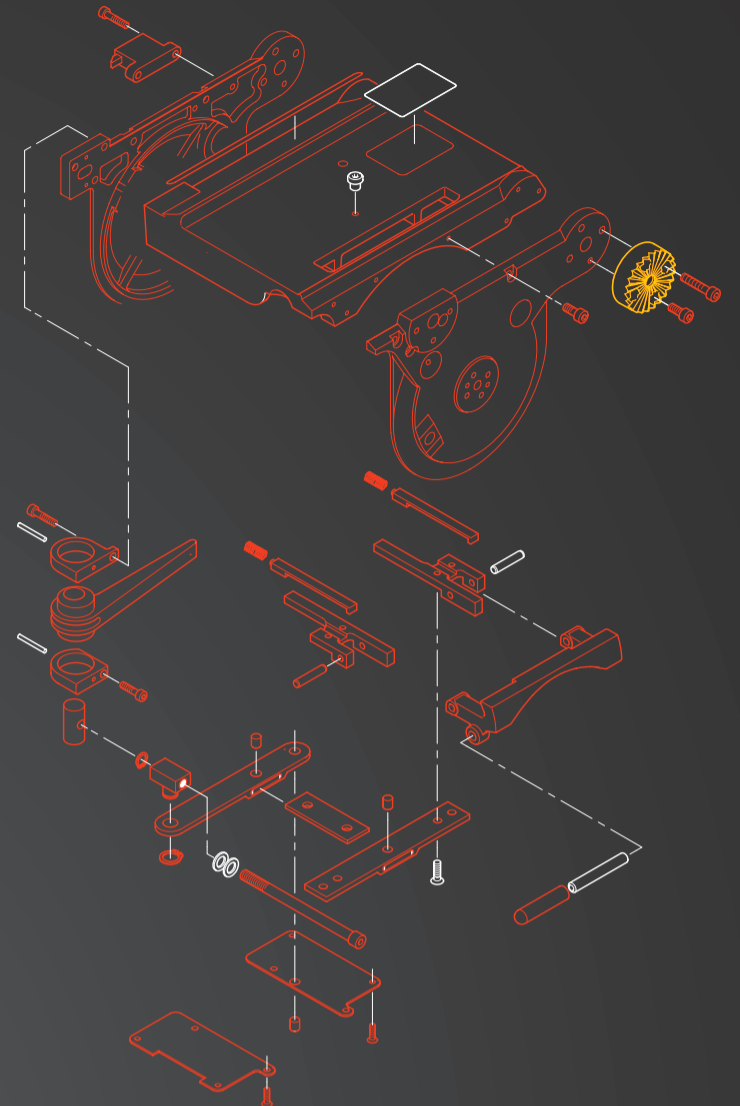
**PAN BRAKE/DRAW**



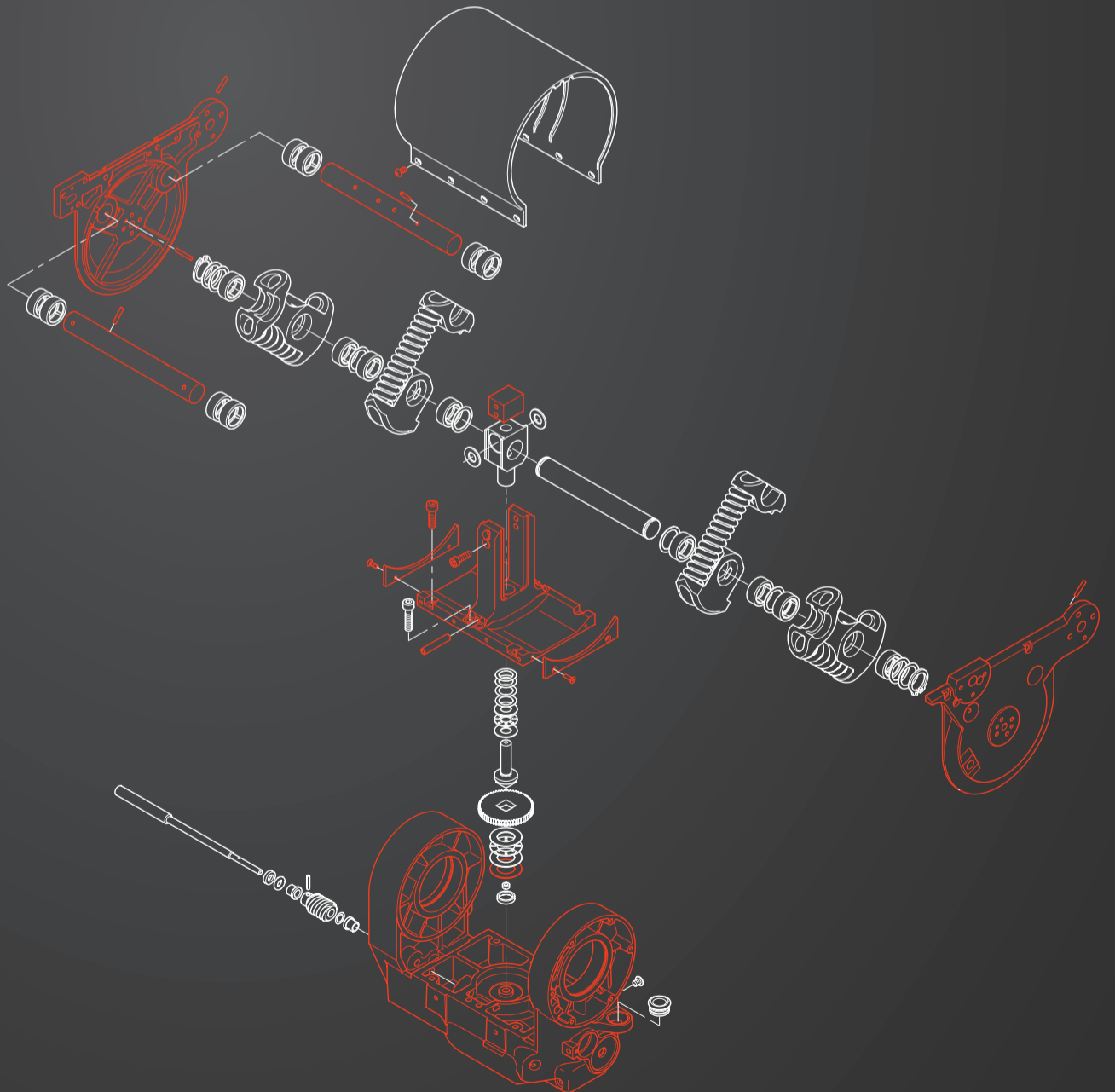
**TILT BRAKE END**



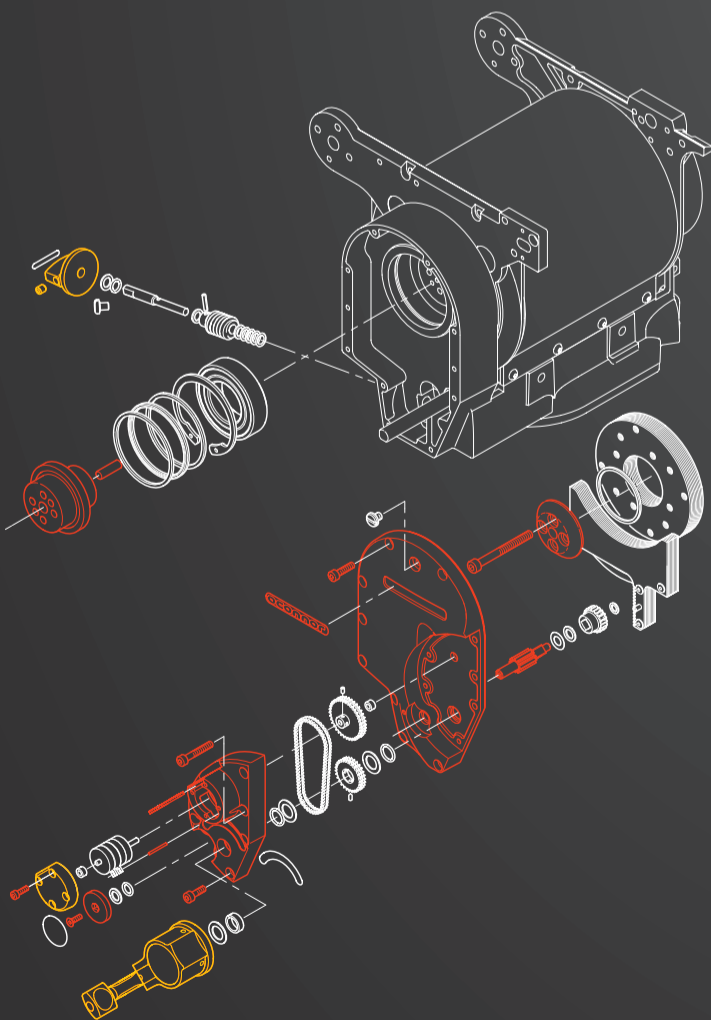
**PLATFORM ASSEMBLY**






**BALANCE ASSEMBLY**



**TILT DRAG END**



	Continued support beyond 2019
	2575D parts compatible in some cases
	Unique part, no longer supported beyond 2019