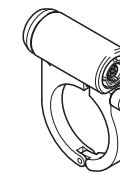


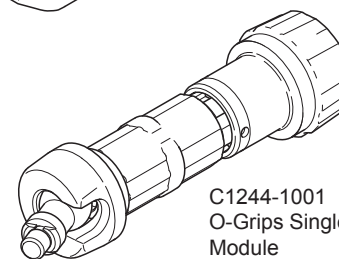
C1244-1002
Three-System
Rod Bridge



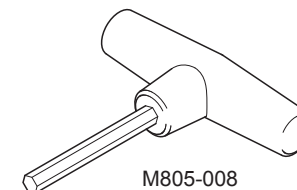
C1244-1004
Stop / Start Switch



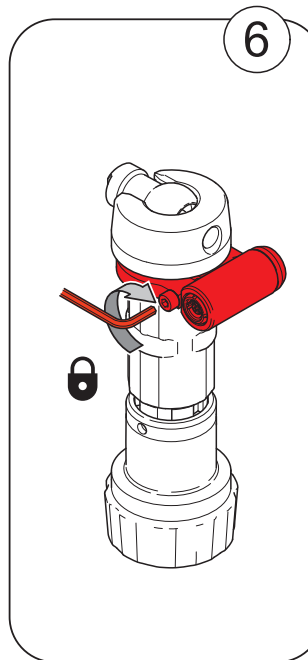
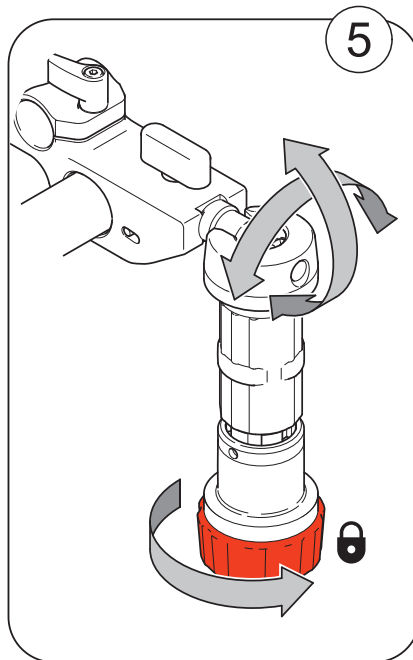
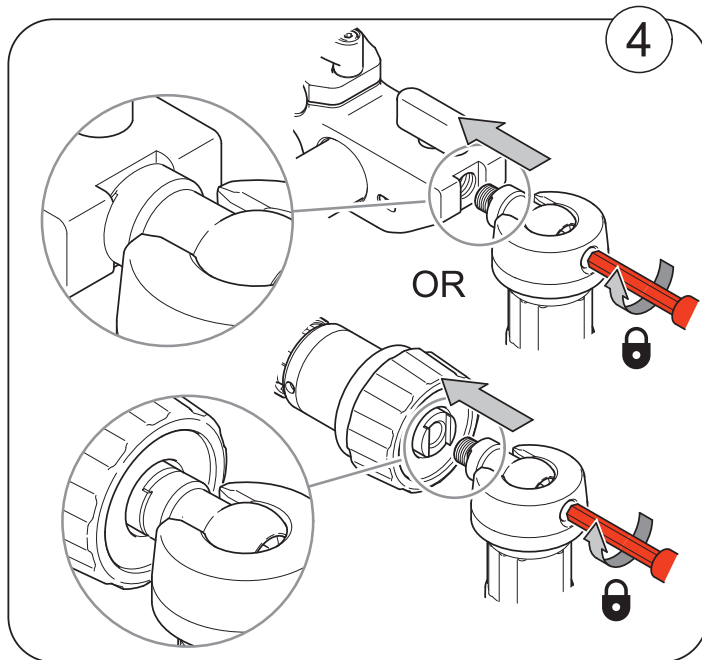
C1244-1003
Rosette



C1244-1001
O-Grips Single
Module



M805-008
Allen Wrench



Congratulations!

Congratulations on your purchase of the new range of genuine OConnor accessories.

O-Grips technical data

| | |
|-------------------------------------|---|
| Construction: | solid titanium core |
| Payload capacity (maximum): | 44 lbs (20 kgs) |
| Rod fitting (using O-Grips bridge): | 15 mm Studio 19 mm Studio 15 mm LWS |

Attachment: 3/8" stainless steel top screw with 3/8" bottom thread. Quick and simple using a 5 mm Allen wrench.

Compatible with all common camera configurations with optional accessories. Modular stackable design for custom applications.

Need Help?

Need customer support? Visit our web site to contact us or find your local support center (company / contact).

Need inspiring ideas on how to use your O-Grips?

Visit our [O-Grips applications gallery](#) product page for great ideas on using your O-Grips in the field.