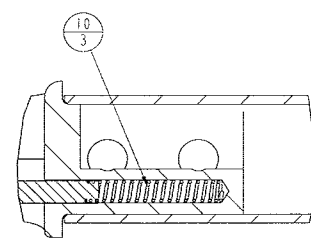
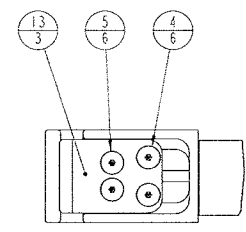
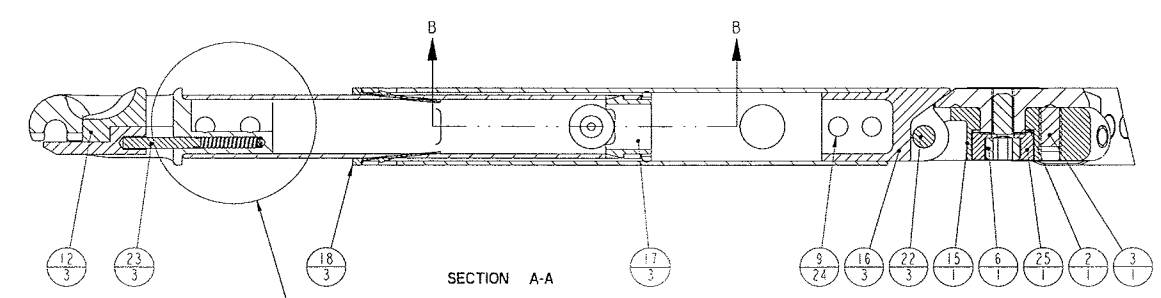
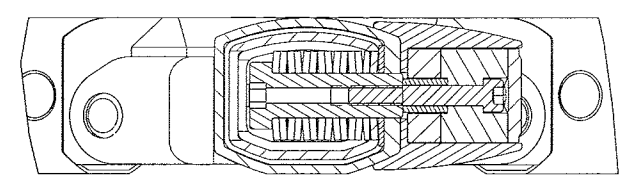


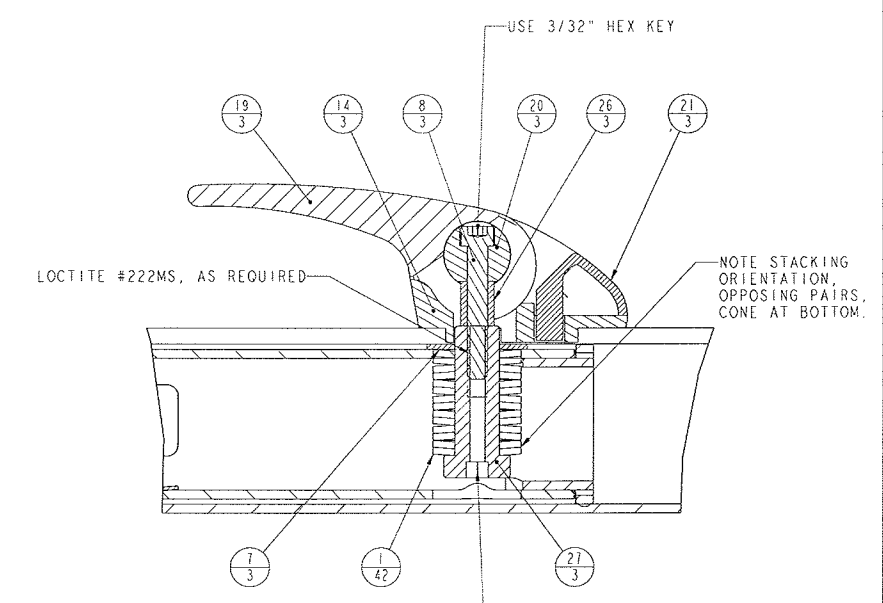
#	DESCRIPTION	PART NO.	QTY.
1	BELLEVILLE WASHER B0500-038-S	00695	42
2	TEFLON WASHER SEASTROM #5612-100-31	04345	1
3	SPRING PLUNGER SS REID TOOL SUP. #LK3-SN	04346	1
4	4-40X1/2L HEX SOC FL HD C/S S.S.	04389	6
5	4-40X5/16L HEX SOC FL HD C/S S.S.	04434	6
6	1/4-28X1/2L HEX HD SOC C/S S.S.	04435	1
7	WASHER, SEASTROM #5710-61-30	04507	3
8	4-40 X .75LG SOC HEAD C/S	04508	3
9	RIVET RIVEX, 1/8 X 1/4L RSSR44SS	05043	24
10	COMPRESSION SPRING CENTURY #70118S	06001	3
11	TRIPOD CONNECT	33G-101	3
12	SLIDE	33G-104	3
13	SLIDE LATCH	33G-105	3
14	LEVER GUIDE	33G-106	3
15	SPREADER CENTER	33G-107	1
16	PIVOT JOINT	33G-109	3
17	INNER BEAM CAP	33G-110	3
18	OUTER BEAM CAP	33G-111	3
19	LEVER	33G-112	3
20	LEVER PIN	33G-113	3
21	LEVER GUIDE CAP	33G-116	3
22	HINGE PIN	33G-117	3
23	SPRING PLUNGER	33G-118	3
24	CAM LABEL	33G-119	1
25	SPACER	33G-120	1
26	SPRING COLLAR	33G-123	3
27	SPRING NUT	33G-124	3
28	OUTER BEAM	33H-131	3
29	INNER BEAM	33H-132	3
30	SPREADER CAM	33H-133	1



DETAIL D  
SCALE 2:1



SECTION C-C  
SCALE 2:1



SECTION B-B  
SCALE 2:1

NO	DATE	REVISION	BY
1	6-11-04	DELETED P/N 04434, 33G-114, 33G-115, ADDED P/N 04507, 04508, 33G-123, 33G-124	TJA
2	9/13/99	CHANGED SPRING P/N 06001 WAS 00699.	S.R.
3	7-9-99	P/N 00699 WAS 00668; P/N 05043 WAS 05041	CSG
4	4-22-99	P/N 05041 WAS 05040	CSG
5	2-16-99	P/N 00695 WAS 00677; P/N 00674 WAS 04431; P/N 05040 WAS 05036. REMOVED P/N 08163. RELEASE FOR PRODUCTION	CSG

MATERIAL	NO REQ'D	UNLESS NOTED
MACHINE FINISH	OR BETTER, UNLESS NOTED	FRACTIONAL ±.016 DEC ±.030 ANGULAR ±.010 ±.005 ±.012
HEAT TREATMENT		W/BEAM SURFACES 1/8 R RADIAL .005 1/8 R RADIAL .005
PLATE/PAIN		BEAM EDGES CHAMFER HOLES CLEAN AND DEBURR

THIS DRAWING IS THE PROPERTY OF O'CONNOR ENGINEERING AND MAY NOT BE REPRODUCED OR USED IN ANY MANNER WITHOUT THE EXPRESS WRITTEN PERMISSION OF O'CONNOR ENGINEERING

**O'CONNOR ENGINEERING**

**SPREADER ASSEMBLY**

SCALE: 1:1  
33H-130-5